

# 丸形

# Round Type

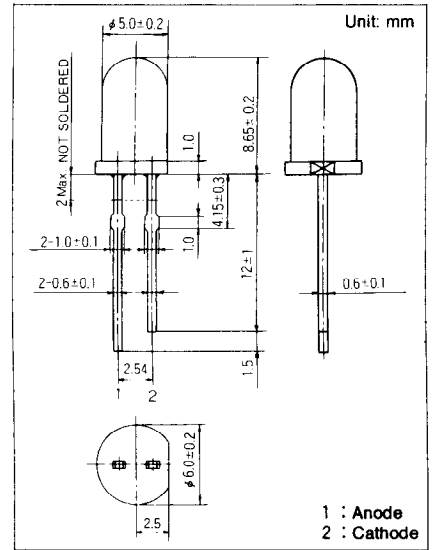
## φ 5.0mm Series

| Type No.  | Lighting Color |
|-----------|----------------|
| LN81RPHL  | Orange         |
| LN81RCPHL | Orange         |
| LN81WPHL  | Orange         |
| LN81CPHL  | Orange         |

### 絶対最大定格 Absolute Maximum Ratings (Ta=25 °C)

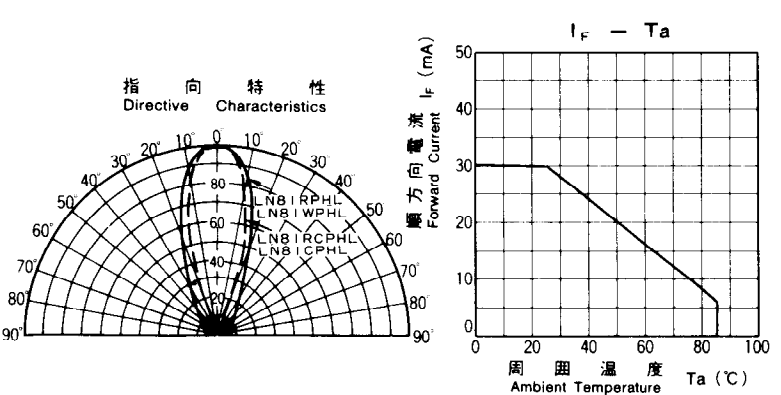
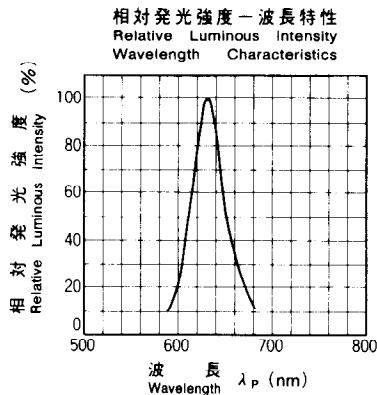
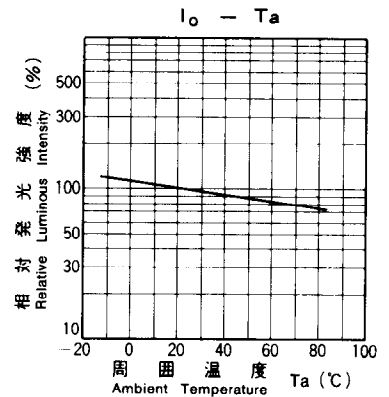
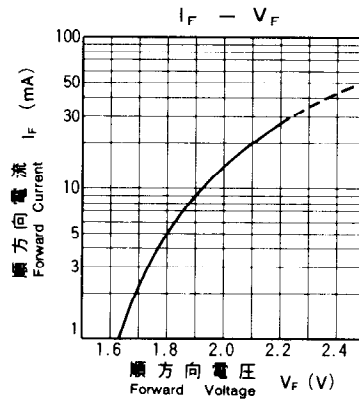
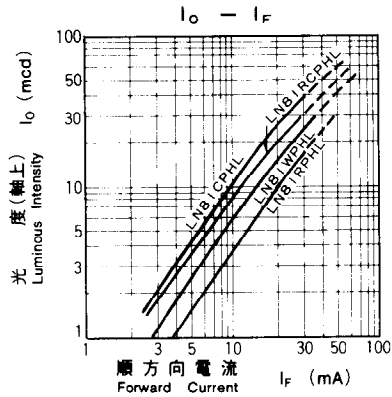
| Lighting Color | P <sub>D</sub> (mW) | I <sub>F</sub> (mA) | I <sub>FP</sub> (mA)* | V <sub>R</sub> (V) | To <sub>pr</sub> (°C) | T <sub>stg</sub> (°C) |
|----------------|---------------------|---------------------|-----------------------|--------------------|-----------------------|-----------------------|
| Orange         | 90                  | 30                  | 150                   | 3                  | -25~+85               | -30~+100              |

\* I<sub>FP</sub>の条件は、 duty 10%, Pulse width 1 msec. The condition of I<sub>FP</sub> is duty 10%, Pulse width 1 msec



### 電気的光学的特性 Electro-Optical Characteristics (Ta=25 °C)

| Type No.  | Lighting Color | Lens Color     | I <sub>0</sub> |      |                | V <sub>F</sub> |      | λ <sub>P</sub> | Δλ   | I <sub>F</sub> | I <sub>R</sub> |                |
|-----------|----------------|----------------|----------------|------|----------------|----------------|------|----------------|------|----------------|----------------|----------------|
|           |                |                | Typ.           | Min. | I <sub>F</sub> | Typ.           | Max. | Typ.           | Typ. |                | Max.           | V <sub>R</sub> |
| LN81RPHL  | Orange         | Red Diffused   | 10.0           | 5.0  | 20             | 2.1            | 2.8  | 630            | 40   | 20             | 10             | 3              |
| LN81RCPHL | Orange         | Red Clear      | 20.0           | 8.0  | 20             | 2.1            | 2.8  | 630            | 40   | 20             | 10             | 3              |
| LN81WPHL  | Orange         | White Diffused | 15.0           | 6.0  | 20             | 2.1            | 2.8  | 630            | 40   | 20             | 10             | 3              |
| LN81CPHL  | Orange         | Clear          | 25.0           | 10.0 | 20             | 2.1            | 2.8  | 630            | 40   | 20             | 10             | 3              |
| Unit      | —              | —              | mcd            | mcd  | mA             | V              | V    | nm             | nm   | mA             | μA             | V              |



指向特性 Directive Characteristics

